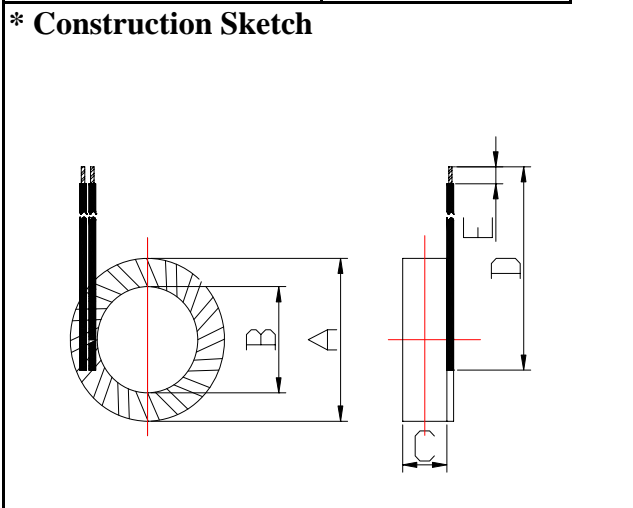


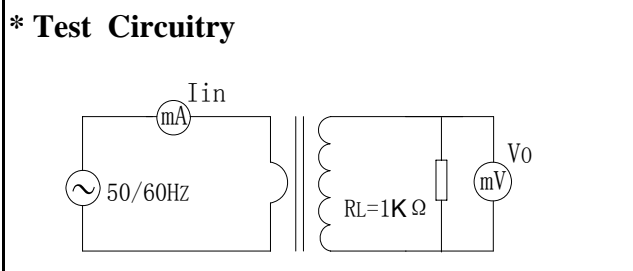
 振泰科技	SPECIFICATION FOR APPROVAL		No.:TG07-177
			Date: 2007-06-01
Description	Zero-Phase Current Transformer 零序电流互感器	ZT Model No.	ZCT801N04517

*Electrical Specifications		* Measured Result Vo(mV),DCR(Ω) 输出电压及直流电阻检测数据									
Rated Current	30A	NO.	1	2	3	4	/	/	/	/	/
DC Resistance at 25 $^{\circ}$ C	21 \pm 4 Ω	V0	39	39.5	40	40.5	/	/	/	/	/
Dielectric Withstanding Voltage(Hi-pot) 耐压	2500Vrms	DCR	20.6	20.6	20.7	20.9	/	/	/	/	/
Output Voltage Vo	\geq 30mV	Test Conditions		In=20mA RL=1K Ω							
		测试条件									



***Material Specification**
材料名细表

No.	Name	Materials
		材料/UL认证号
1	Core	HP2110N
2	Winding	2UEW MW75 Φ 0.14 E164502
3	Lead Wire	UL1007 26AWG E211425 L=120mm (红色)
4	Tape	Insulating Tape 绝缘胶带
5	Adhesive	一粘灵



A	B	C	D	E
25 \pm 1	12 \pm 1	13.5 \pm 1	100 \pm 5	7 \pm 1

Approved by: 批准:	Checked by: 审核:	Drawn by: 制定:
---------------------	--------------------	------------------

客户回复栏

Customer Evaluation(客户评价)

Perfect 优	Good	Acceptable	Poor	No Acceptable

备注:

Test Result (测试结果)

--

Approved by: 批准:	Checked by: 审核:
---------------------	--------------------

请将此样品确认单填写完毕后, 务必回传至0592-7766800张小姐收, 以做为批量生产的依据。谢谢!