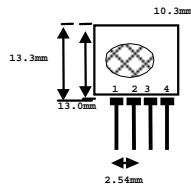


Easy-Link
Wireless

TLP916-A Transmitter

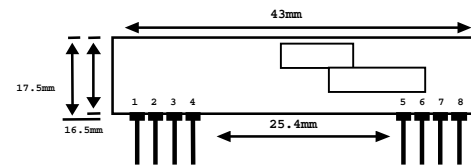


pin 1 : GND
pin 2 : Data In
pin 3 : Vcc
pin 4 : Antenna (RF output)

Frequency 916.5Mhz

Modulation : ASK
Operation Voltage : 2 - 12 VDC
RF Output Power : 10mW

RLP916-A Receiver



pin 1 : Gnd
pin 2 : Digital Data Output
pin 3 : Linear Output /TE
pin 4 : Vcc
pin 5 : Vcc
pin 6 : Gnd
pin 7 : Gnd
pin 8 : Antenna

Frequency 916.5MHz

Modulation : ASK
Supply Voltage : 2.7 - 5.0 VDC
Output : Digital & Linear
Chip Set Technology
Sensitivity : -104dBm

Symbol	Parameter	Conditions	Min	Typ	Max	Unit
Vcc	Operating supply voltage		2.0	-	12.0	V
Icc 1	Peak Current (2V)		-	-	1.6	mA
Icc 2	Peak Current (12V)		-	-	19.4	mA
Vh	Input High Voltage	Idata= 100uA (High)	Vcc-0.5	Vcc	Vcc+0.5	V
Vl	Input Low Voltage	Idata= 0 uA (Low)	-	-	0.3	V
FO	Absolute Frequency	916Mhz module	916.3	916.5	916.7	MHz
PO	RF Output Power- 50ohm	Vcc = 12V	-	14	-	dB
		Vcc = 2V	-	-8	-	dB
DR	Data Rate	External Encoding	-	9.6K	200K	bps

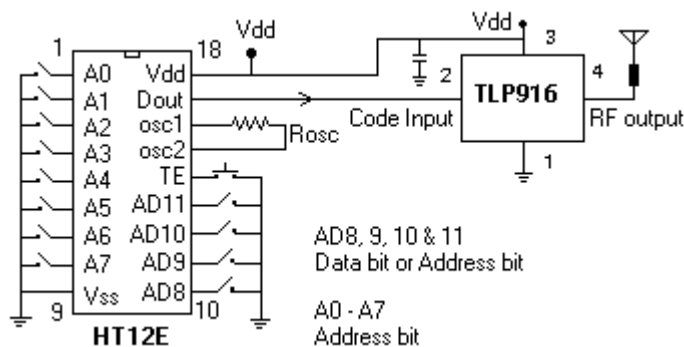
Notes : (Case Temperature = 25°C +- 2°C , Test Load Impedance = 50 ohm)

Symbol	Parameter	Conditions	Min	Typ	Max	Unit
Vcc	Operating supply voltage		2.7	3.6V	5.0	V
Itot	Operating Current		-	10	12	mA
Vdata	Data Out	Idata = +200 uA (High)	Vcc-0.5	-	Vcc	V
		Idata = -10 uA (Low)	-	-	0.3	V

Electrical Characteristics					
Characteristics	SYM	Min	Typ	Max	Unit
Operation Radio Frequency	FC	916.5Mhz			MHz
Sensitivity	Pref	-100	-104	-106	dBm
Receiver Turn On Time			5		ms
Operation Temperature	Top	-40	-	80	C
Baseboard Data Rate				256	Kbps

Application Circuit I:

Typical Key-chain Transmitter using HT12E-18DIP, a Binary 12 bit Encoder from Holtek Semiconductor Inc.



AD8, 9, 10 & 11
Data bit or Address bit
A0 - A7
Address bit

Application Circuit II:

Typical RF Receiver using HT12D-18DIP, a Binary 12 bit Decoder with 8 bit uC HT48RXX from Holtek Semiconductor Inc.

