

MC1488

Quad Line Driver

The MC1488 is a monolithic quad line driver designed to interface data terminal equipment with data communications equipment in conformance with the specifications of EIA Standard No. EIA-232D.

Features:

- Current Limited Output
±10 mA typical
- Power-Off Source Impedance
300 Ω minimum
- Simple Slew Rate Control with External Capacitor
- Flexible Operating Supply Range
- Compatible with All Motorola MDTL and MTTL Logic Families

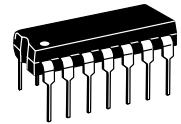
ORDERING INFORMATION

Device	Operating Temperature Range	Package
MC1488P	$T_A = 0 \text{ to } +75^\circ\text{C}$	Plastic
MC1488D		SO-14

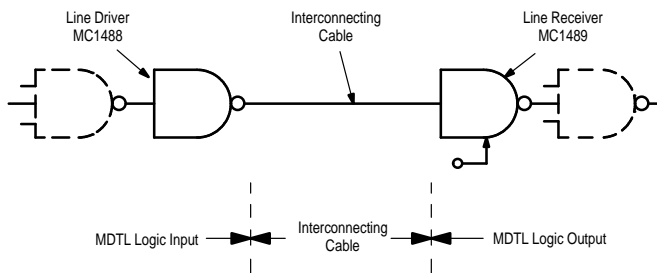
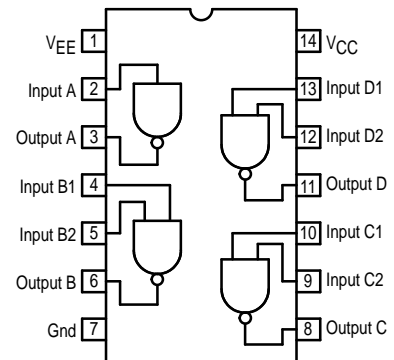
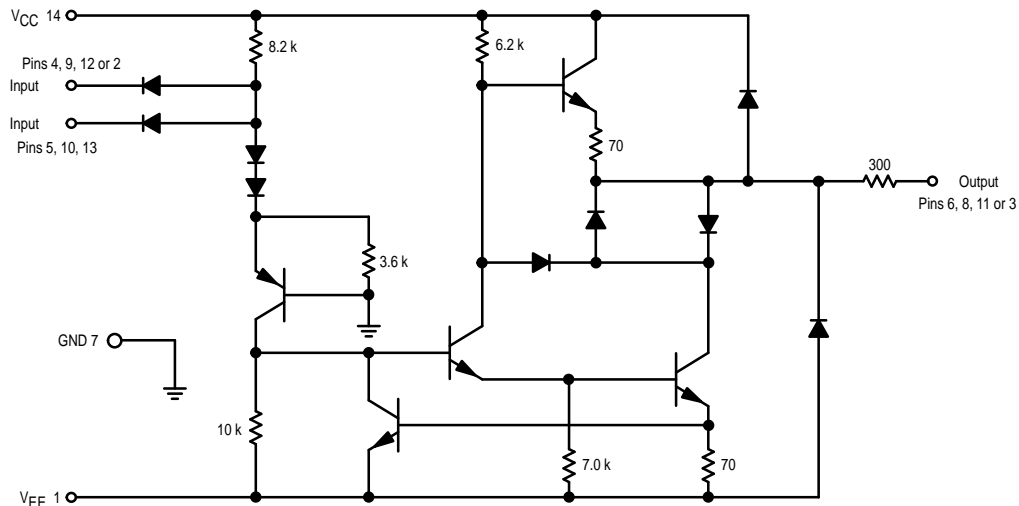
QUAD MDTL LINE DRIVER EIA-232D

**SEMICONDUCTOR
TECHNICAL DATA**

P SUFFIX
PLASTIC PACKAGE
CASE 646



D SUFFIX
PLASTIC PACKAGE
CASE 751A
(SO-14)

Simplified Application

PIN CONNECTIONS

**Circuit Schematic
(1/4 of Circuit Shown)**


MC1488

MAXIMUM RATINGS (T_A = +25°C, unless otherwise noted.)

Rating	Symbol	Value	Unit
Power Supply Voltage	V _{CC} V _{EE}	+ 15 - 15	Vdc
Input Voltage Range	V _{IR}	- 15 ≤ V _{IR} ≤ 7.0	Vdc
Output Signal Voltage	V _O	±15	Vdc
Power Derating (Package Limitation, SO-14 and Plastic Dual-In-Line Package) Derate above T _A = + 25°C	P _D 1/R _{θJA}	1000 6.7	mW mW/°C
Operating Ambient Temperature Range	T _A	0 to + 75	°C
Storage Temperature Range	T _{stg}	- 65 to + 175	°C

ELECTRICAL CHARACTERISTICS (V_{CC} = +9.0 ± 1% Vdc, V_{EE} = -9.0 ± 1% Vdc, T_A = 0 to 75°C, unless otherwise noted.)

Characteristic	Symbol	Min	Typ	Max	Unit
Input Current – Low Logic State (V _{IL} = 0)	I _{IL}	-	1.0	1.6	mA
Input Current – High Logic State (V _{IH} = 5.0 V)	I _{IH}	-	-	10	μA
Output Voltage – High Logic State (V _{IL} = 0.8 Vdc, R _L = 3.0 kΩ, V _{CC} = + 9.0 Vdc, V _{EE} = - 9.0 Vdc) (V _{IL} = 0.8 Vdc, R _L = 3.0 kΩ, V _{CC} = + 13.2 Vdc, V _{EE} = - 13.2 Vdc)	V _{OH}	+ 6.0 + 9.0	+ 7.0 + 10.5	- -	Vdc
Output Voltage – Low Logic State (V _{IH} = 1.9 Vdc, R _L = 3.0 kΩ, V _{CC} = + 9.0 Vdc, V _{EE} = - 9.0 Vdc) (V _{IH} = 1.9 Vdc, R _L = 3.0 kΩ, V _{CC} = + 13.2 Vdc, V _{EE} = - 13.2 Vdc)	V _{OL}	- 6.0 - 9.0	- 7.0 - 10.5	- -	Vdc
Positive Output Short-Circuit Current, Note 1	I _{OS+}	+ 6.0	+ 10	+ 12	mA
Negative Output Short-Circuit Current, Note 1	I _{OS-}	- 6.0	- 10	- 12	mA
Output Resistance (V _{CC} = V _{EE} = 0, V _O = ± 2.0 V)	r _o	300	-	-	Ohms
Positive Supply Current (R _L = ∞) (V _{IH} = 1.9 Vdc, V _{CC} = + 9.0 Vdc) (V _{IL} = 0.8 Vdc, V _{CC} = + 9.0 Vdc) (V _{IH} = 1.9 Vdc, V _{CC} = + 12 Vdc) (V _{IL} = 0.8 Vdc, V _{CC} = + 12 Vdc) (V _{IH} = 1.9 Vdc, V _{CC} = + 15 Vdc) (V _{IL} = 0.8 Vdc, V _{CC} = + 15 Vdc)	I _{CC}	- - - - - -	+ 15 + 4.5 + 19 + 5.5 - -	+ 20 + 6.0 + 25 + 7.0 + 34 + 12	mA
Negative Supply Current (R _L = ∞) (V _{IH} = 1.9 Vdc, V _{EE} = - 9.0 Vdc) (V _{IL} = 0.8 Vdc, V _{EE} = - 9.0 Vdc) (V _{IH} = 1.9 Vdc, V _{EE} = - 12 Vdc) (V _{IL} = 0.8 Vdc, V _{EE} = - 12 Vdc) (V _{IH} = 1.9 Vdc, V _{EE} = - 15 Vdc) (V _{IL} = 0.8 Vdc, V _{EE} = - 15 Vdc)	I _{EE}	- - - - - -	- 13 - - 18 - - -	- 17 - 500 - 23 - 500 - 34 - 2.5	mA μA mA μA mA mA
Power Consumption (V _{CC} = 9.0 Vdc, V _{EE} = - 9.0 Vdc) (V _{CC} = 12 Vdc, V _{EE} = - 12 Vdc)	P _C	- -	- -	333 576	mW

SWITCHING CHARACTERISTICS (V_{CC} = +9.0 ± 1% Vdc, V_{EE} = -9.0 ± 1% Vdc, T_A = +25°C.)

Propagation Delay Time (z _l = 3.0 k and 15 pF)	t _{PLH}	-	275	350	ns
Fall Time (z _l = 3.0 k and 15 pF)	t _{THL}	-	45	75	ns
Propagation Delay Time (z _l = 3.0 k and 15 pF)	t _{PHL}	-	110	175	ns
Rise Time (z _l = 3.0 k and 15 pF)	t _{TLH}	-	55	100	ns

NOTE: 1. Maximum Package Power Dissipation may be exceeded if all outputs are shorted simultaneously.

MC1488

CHARACTERISTIC DEFINITIONS

Figure 1. Input Current

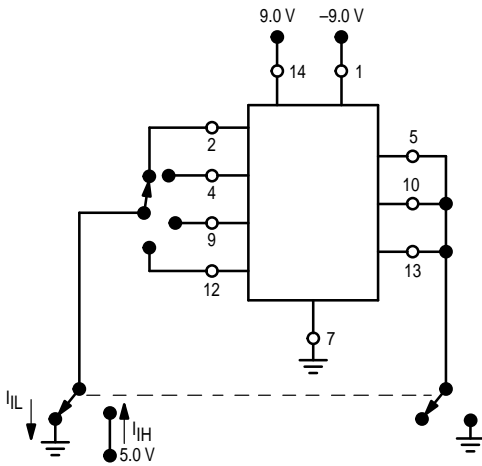


Figure 2. Output Voltage

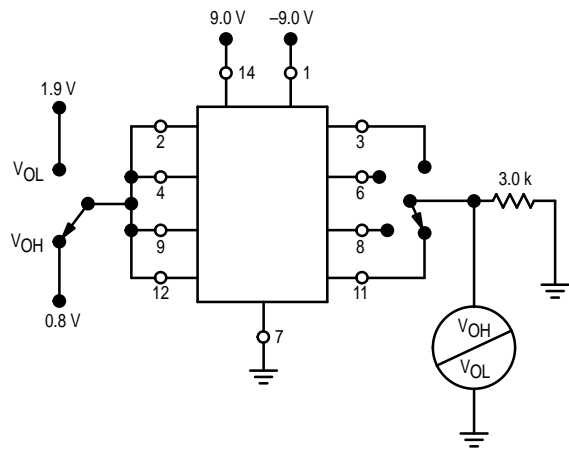


Figure 3. Output Short-Circuit Current

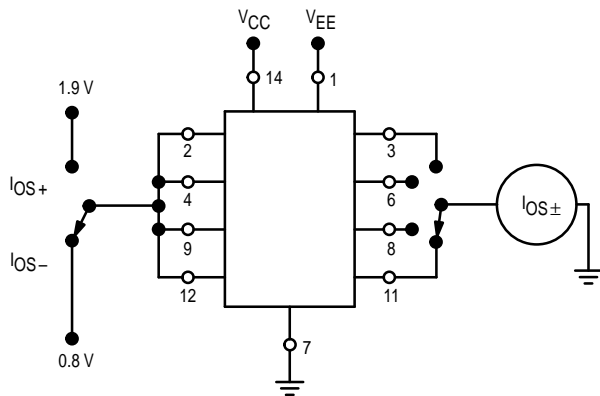


Figure 4. Output Resistance (Power Off)

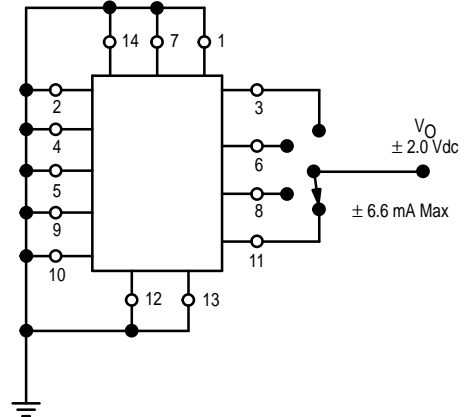


Figure 5. Power Supply Currents

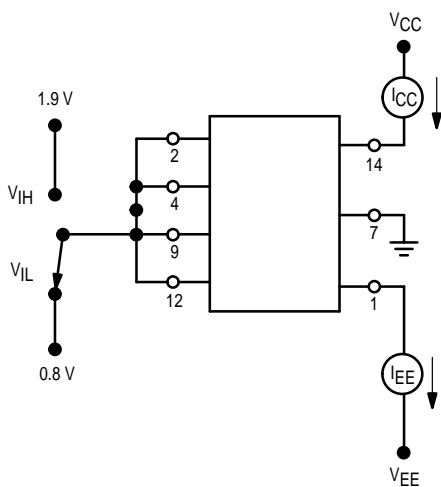
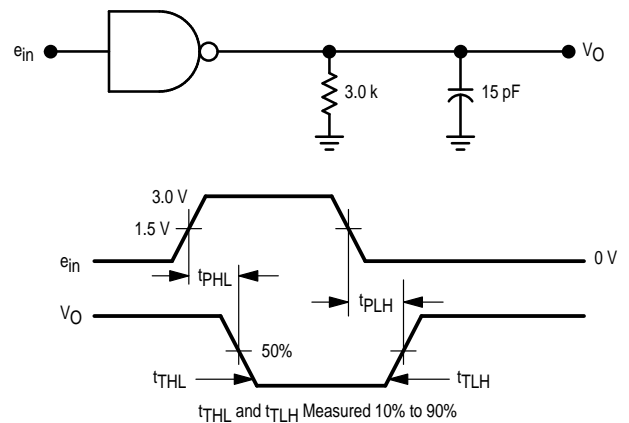


Figure 6. Switching Response



MC1488

TYPICAL CHARACTERISTICS ($T_A = +25^\circ\text{C}$, unless otherwise noted.)

Figure 7. Transfer Characteristics versus Power Supply Voltage

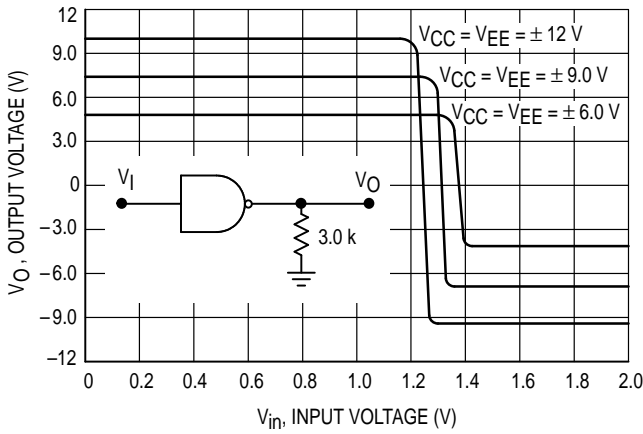


Figure 8. Short Circuit Output Current versus Temperature

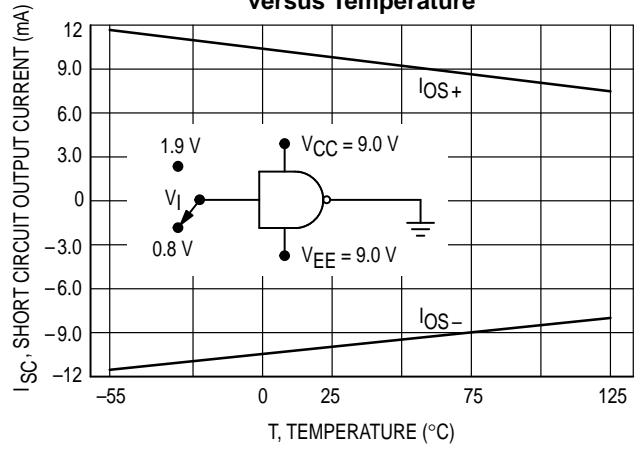


Figure 9. Output Slew Rate versus Load Capacitance

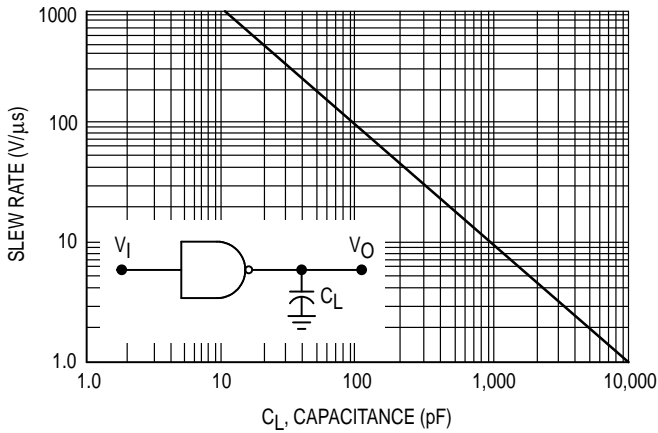


Figure 10. Output Voltage and Current-Limiting Characteristics

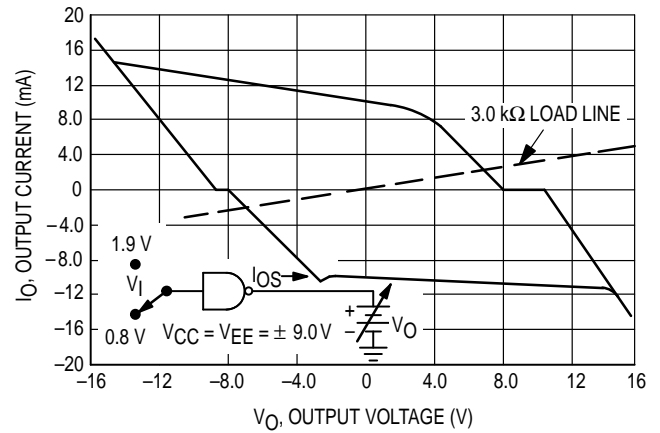
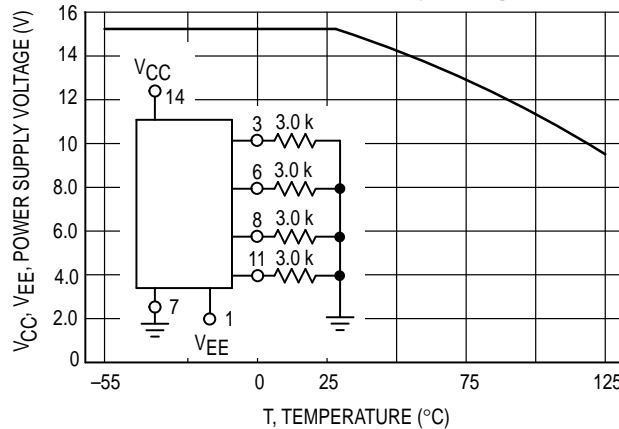


Figure 11. Maximum Operating Temperature versus Power Supply Voltage



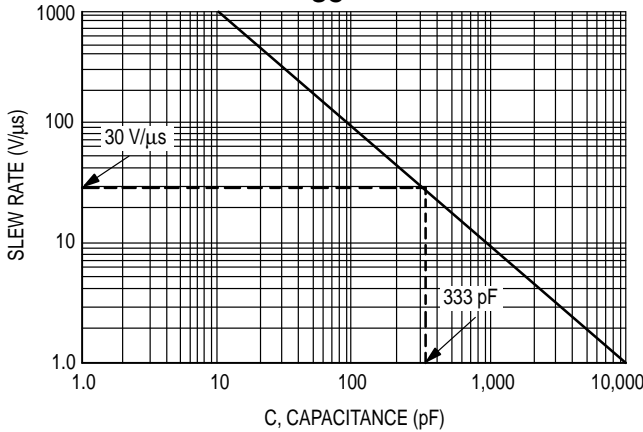
APPLICATIONS INFORMATION

The Electronic Industries Association EIA-232D specification details the requirements for the interface between data processing equipment and data communications equipment. This standard specifies not only the number and type of interface leads, but also the voltage levels to be used. The MC1488 quad driver and its companion circuit, the MC1489 quad receiver, provide a complete interface system between DTL or TTL logic levels and the EIA-232D defined levels. The EIA-232D requirements as applied to drivers are discussed herein.

The required driver voltages are defined as between 5.0 and 15 V in magnitude and are positive for a Logic "0" and negative for a Logic "1." These voltages are so defined when the drivers are terminated with a 3000 to 7000 Ω resistor. The MC1488 meets this voltage requirement by converting a DTL/TTL logic level into EIA-232D levels with one stage of inversion.

The EIA-232D specification further requires that during transitions, the driver output slew rate must not exceed 30 V per microsecond. The inherent slew rate of the MC1488 is much too fast for this requirement. The current limited output of the device can be used to control this slew rate by connecting a capacitor to each driver output. The required capacitor can be easily determined by using the relationship $C = I_{OS} \times \Delta T / \Delta V$ from which Figure 12 is derived. Accordingly, a 330 pF capacitor on each output will guarantee a worst case slew rate of 30 V per microsecond.

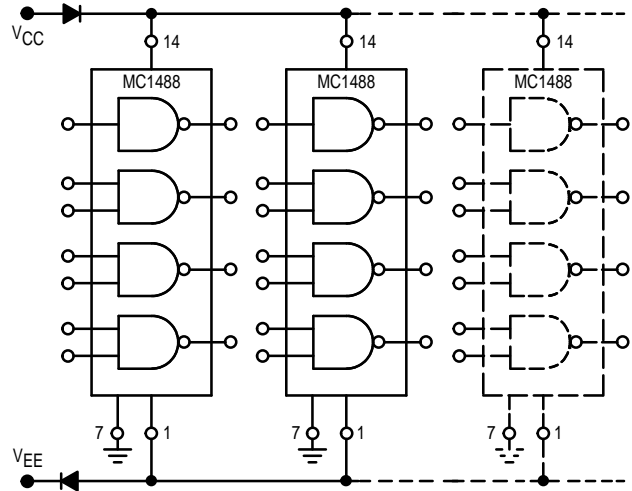
Figure 12. Slew Rate versus Capacitance for $I_{SC} = 10 \text{ mA}$



The interface driver is also required to withstand an accidental short to any other conductor in an interconnecting cable. The worst possible signal on any conductor would be another driver using a plus or minus 15 V, 500 mA source. The MC1488 is designed to indefinitely withstand such a short to all four outputs in a package as long as the power supply voltages are greater than 9.0 V (i.e., $V_{CC} \geq 9.0 \text{ V}$; $V_{EE} \leq -9.0 \text{ V}$). In some power supply designs, a loss of system power causes a low impedance on the power supply outputs. When this occurs, a low impedance to ground would exist at the power inputs to the MC1488 effectively shorting the 300 Ω output resistors to ground. If all four outputs were then shorted to plus or minus 15 V, the power dissipation in these resistors would be excessive. Therefore, if the system is designed to permit low impedances to ground at the power supplies of the drivers, a diode

should be placed in each power supply lead to prevent overheating in this fault condition. These two diodes, as shown in Figure 13, could be used to decouple all the driver packages in a system. (These same diodes will allow the MC1488 to withstand momentary shorts to the ± 25 V limits specified in the earlier Standard EIA-232B.) The addition of the diodes also permits the MC1488 to withstand faults with power supplies of less than the 9.0 V stated above.

Figure 13. Power Supply Protection to Meet Power Off Fault Conditions



The maximum short circuit current allowable under fault conditions is more than guaranteed by the previously mentioned 10 mA output current limiting.

Other Applications

The MC1488 is an extremely versatile line driver with a myriad of possible applications. Several features of the drivers enhance this versatility:

1. Output Current Limiting – this enables the circuit designer to define the output voltage levels independent of power supplies and can be accomplished by diode clamping of the output pins. Figure 14 shows the MC1488 used as a DTL to MOS translator where the high level voltage output is clamped one diode above ground. The resistor divider shown is used to reduce the output voltage below the 300 mV above ground MOS input level limit.

2. Power Supply Range – as can be seen from the schematic drawing of the drivers, the positive and negative driving elements of the device are essentially independent and do not require matching power supplies. In fact, the positive supply can vary from a minimum 7.0 V (required for driving the negative pulldown section) to the maximum specified 15 V. The negative supply can vary from approximately -2.5 V to the minimum specified -15 V. The MC1488 will drive the output to within 2.0 V of the positive or negative supplies as long as the current output limits are not exceeded. The combination of the current limiting and supply voltage features allow a wide combination of possible outputs within the same quad package. Thus if only a portion of the four drivers are used for driving EIA-232D lines, the remainder could be used for DTL to MOS or even DTL to DTL translation. Figure 15 shows one such combination.

MC1488

Figure 14. MDTL/MTTL-to-MOS Translator

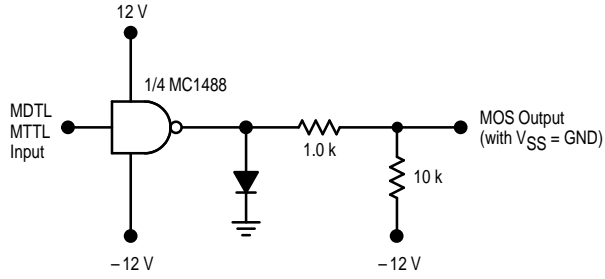
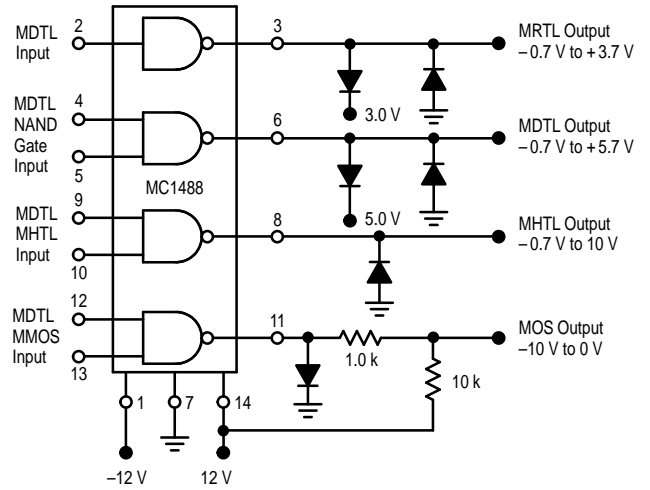


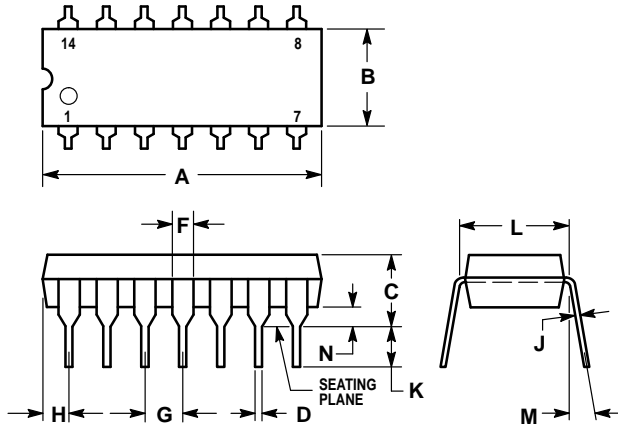
Figure 15. Logic Translator Applications



MC1488

OUTLINE DIMENSIONS

P SUFFIX PLASTIC PACKAGE CASE 646-06 ISSUE L

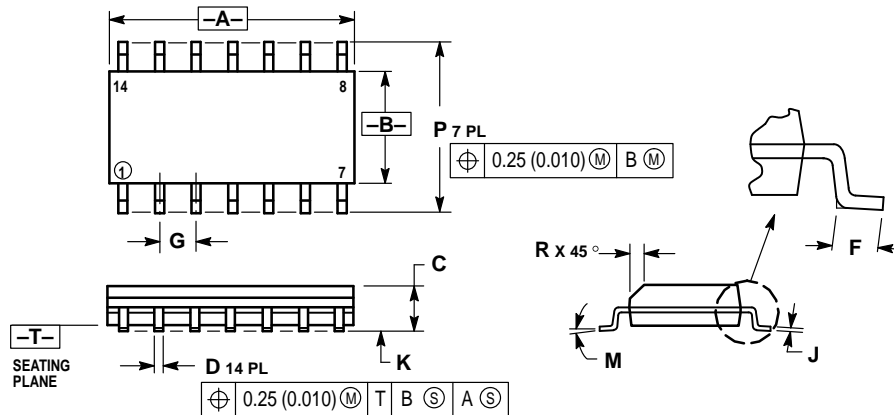


NOTES:

- LEADS WITHIN 0.13 (0.005) RADIUS OF TRUE POSITION AT SEATING PLANE AT MAXIMUM MATERIAL CONDITION.
- DIMENSION L TO CENTER OF LEADS WHEN FORMED PARALLEL.
- DIMENSION B DOES NOT INCLUDE MOLD FLASH.
- ROUNDED CORNERS OPTIONAL.

DIM	INCHES		MILLIMETERS	
	MIN	MAX	MIN	MAX
A	0.715	0.770	18.16	19.56
B	0.240	0.260	6.10	6.60
C	0.145	0.185	3.69	4.69
D	0.015	0.021	0.38	0.53
F	0.040	0.070	1.02	1.78
G	0.100 BSC		2.54 BSC	
H	0.052	0.095	1.32	2.41
J	0.008	0.015	0.20	0.38
K	0.115	0.135	2.92	3.43
L	0.300 BSC		7.62 BSC	
M	0°	10°	0°	10°
N	0.015	0.039	0.39	1.01


D SUFFIX PLASTIC PACKAGE CASE 751A-03 (SO-14) ISSUE F



NOTES:

- DIMENSIONING AND TOLERANCING PER ANSI Y14.5M, 1982.
- CONTROLLING DIMENSION: MILLIMETER.
- DIMENSIONS A AND B DO NOT INCLUDE MOLD PROTRUSION.
- MAXIMUM MOLD PROTRUSION 0.15 (0.006) PER SIDE.
- DIMENSION D DOES NOT INCLUDE DAMBAR PROTRUSION. ALLOWABLE DAMBAR PROTRUSION SHALL BE 0.127 (0.005) TOTAL IN EXCESS OF THE D DIMENSION AT MAXIMUM MATERIAL CONDITION.

DIM	MILLIMETERS		INCHES	
	MIN	MAX	MIN	MAX
A	8.55	8.75	0.337	0.344
B	3.80	4.00	0.150	0.157
C	1.35	1.75	0.054	0.068
D	0.35	0.49	0.014	0.019
F	0.40	1.25	0.016	0.049
G	1.27 BSC		0.050 BSC	
J	0.19	0.25	0.008	0.009
K	0.10	0.25	0.004	0.009
M	0°	7°	0°	7°
P	5.80	6.20	0.228	0.244
R	0.25	0.50	0.010	0.019

Motorola reserves the right to make changes without further notice to any products herein. Motorola makes no warranty, representation or guarantee regarding the suitability of its products for any particular purpose, nor does Motorola assume any liability arising out of the application or use of any product or circuit, and specifically disclaims any and all liability, including without limitation consequential or incidental damages. "Typical" parameters which may be provided in Motorola data sheets and/or specifications can and do vary in different applications and actual performance may vary over time. All operating parameters, including "Typicals" must be validated for each customer application by customer's technical experts. Motorola does not convey any license under its patent rights nor the rights of others. Motorola products are not designed, intended, or authorized for use as components in systems intended for surgical implant into the body, or other applications intended to support or sustain life, or for any other application in which the failure of the Motorola product could create a situation where personal injury or death may occur. Should Buyer purchase or use Motorola products for any such unintended or unauthorized application, Buyer shall indemnify and hold Motorola and its officers, employees, subsidiaries, affiliates, and distributors harmless against all claims, costs, damages, and expenses, and reasonable attorney fees arising out of, directly or indirectly, any claim of personal injury or death associated with such unintended or unauthorized use, even if such claim alleges that Motorola was negligent regarding the design or manufacture of the part. Motorola and  are registered trademarks of Motorola, Inc. Motorola, Inc. is an Equal Opportunity/Affirmative Action Employer.

How to reach us:

USA/EUROPE/Locations Not Listed: Motorola Literature Distribution;
P.O. Box 20912; Phoenix, Arizona 85036. 1-800-441-2447 or 602-303-5454

JAPAN: Nippon Motorola Ltd.; Tatsumi-SPD-JLDC, 6F Seibu-Butsuryu-Center,
3-14-2 Tatsumi Koto-Ku, Tokyo 135, Japan. 03-81-3521-8315

MFAX: RMFAX0@email.sps.mot.com – TOUCHTONE 602-244-6609
INTERNET: <http://Design-NET.com>

ASIA/PACIFIC: Motorola Semiconductors H.K. Ltd.; 8B Tai Ping Industrial Park,
51 Ting Kok Road, Tai Po, N.T., Hong Kong. 852-26629298



This datasheet has been download from:

www.datasheetcatalog.com

Datasheets for electronics components.