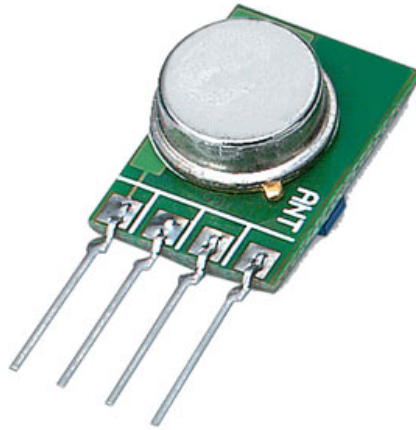


WENSHING® TWS-BS Series

Transmitter Module Series (RF ASK)



■ Model : TWS-BS-3(433.92MHz)

*Frequency Range: 433.92 MHz

*Modulate Mode: ASK

*Circuit Shape: SAW

*Data Rate: 8kbps

*Supply Voltage: 3~12V

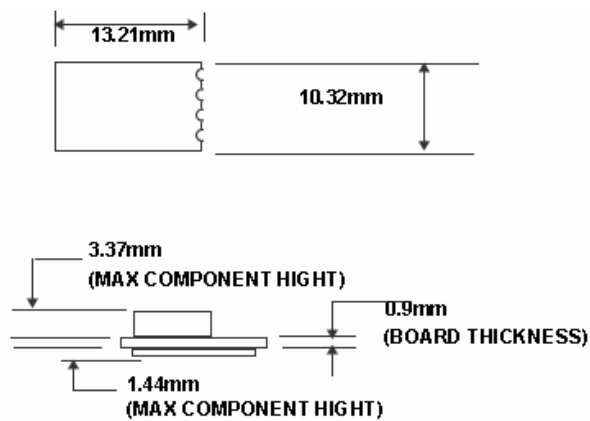
■ Absolute Maximum Ratings:

Rating	Value	Unit.
Power Supply and All Input/Output Pins	-0.3 to +12.0	V
Non-Operating Case Temperature	-20 to +85	Celsius
Soldering Temperature(10 seconds)	230	Celsius

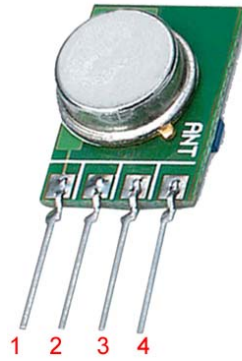
■ Electrical Characteristics, T=25°C , Vcc=3.6V, Fre=433.92MHz:

Characteristic	Sym.	Min.	Typ.	Max.	Unit.
Operating Frequency ($\pm 300\text{KHz}$)	VCC		433.92		MHz
Data Rate	ASK			8K	Kbps
Transmitter Performance(OOK@2.4kbps)					
Peak Input Current,12 Vdc Supply	ITP			45	mA
Peak Output Power	PO		10		mW
Tum On/ Tum Off Time	T ON/ T OFF			1	US
Power Supply Voltage Range	VCC	3		12	VDC
Operating Ambient Temperature	TA	-20		+85	Celsius
Tx Antenna Out (3V) +2.4dB	VCC				mA

■ Size:



■ Pin Assignment:



- pin 1: GND
- pin 2: Data in
- pin 3: VCC
- pin 4: ANT

■ Demo Circuit:

