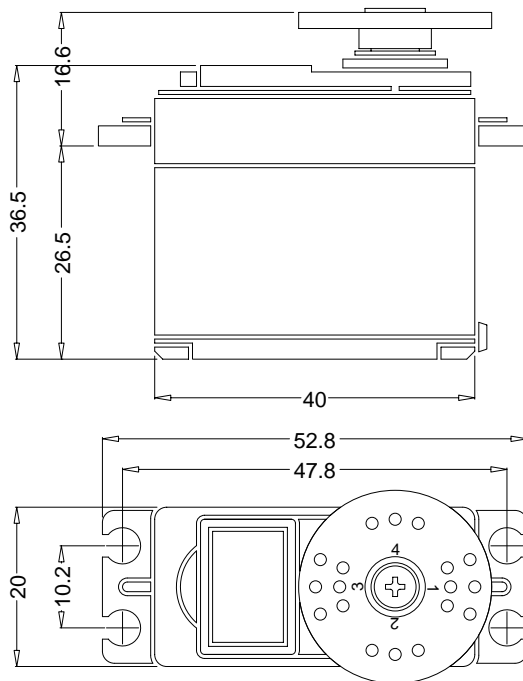


# ANNOUNCED SPECIFICATION OF HS-322 STANDARD DELUXE SERVO

## 1. TECHNICAL VALUES

CONTROL SYSTEM	:+PULSE WIDTH CONTROL 1500usec NEUTRAL	
OPERATING VOLTAGE RANGE	:4.8V TO 6.0V	
OPERATING TEMPERATURE RANGE	:-20 TO +60° C	
TEST VOLTAGE	:AT 4.8V	:AT 6.0V
OPERATING SPEED	:0.19sec/60° AT NO LOAD	:0.15sec/60° AT NO LOAD
STALL TORQUE	:3kg.cm(41.66oz.in)	:3.5kg.cm(48.60oz.in)
STANDING TORQUE	:3kg.cm(41.66oz.in)	:3.5kg.cm(48.60oz.in)
OPERATING ANGLE	:40°/ONE SIDE PULSE TRAVELING 400usec	
DIRECTION	:CLOCK WISE/PULSE TRAVELING 1500 TO 1900usec	
IDLE CURRENT	:7.4mA	:7.7mA
RUNNING CURRENT	:160mA	:180mA
DEAD BAND WIDTH	:5usec	
CONNECTOR WIRE LENGTH	:300mm(11.81in)	
DIMENSIONS	:40x20x36.5mm(1.57x0.78x1.43in)	
WEIGHT	:43g(1.51oz)	



## 2. FEATURES

- 3-POLE FERRITE MOTOR
- LONG LIFE POTENTIOMETER
- DIRECT POTENTIOMETER DRIVE
- MOTOR DIRECTLY ATTACHED TO CIRCUIT
- ONE RESIN BUSHING

## 3. APPLICATIONS

- AIRCRAFT 20-40 SIZE
- STEERING AND THROTTLE SERVO FOR CARS
- TRUCKS AND BOATS